

# Rockfon® Beamgrid® Open Plenum Ceiling System

## Products

- Large scale open grid system.
- Wide selection of profiles and module sizes.
- Conveys intimacy of lower ceiling while maintaining openness.

## Applications

- Shopping Centers
- Airports
- Passenger Terminals
- Convention Centers



Project – Grocery Store Installation  
Product – Rockfon® Beamgrid®

# Rockfon® Beamgrid® Open Plenum Ceiling System

## LEED® v4.1 Highlights

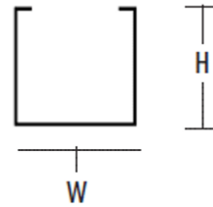
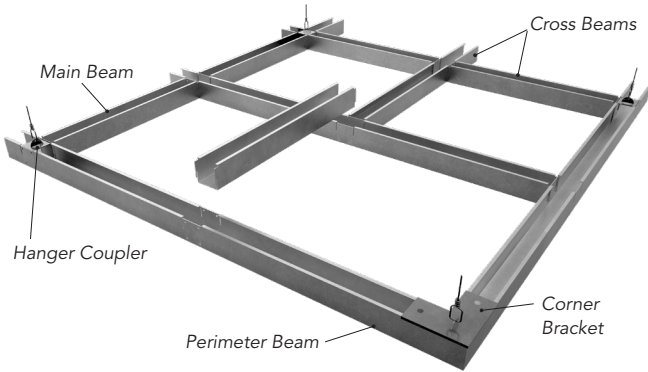
### Materials and Resources (MR)


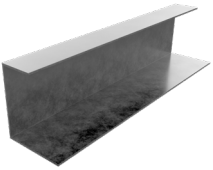

- Waste Management Planning ✓
- Interiors Life Cycle Impact Reduction ✓
- Environmental Product Declarations ✓
- Sourcing of Raw Materials ✓
- Material Ingredients -
- Waste Management ✓

### Indoor Environmental Quality (EQ)

- Low-Emitting Materials ✓
- Interior Lighting -
- Acoustic Performance -

**Recycled Content:** Aluminum 78%

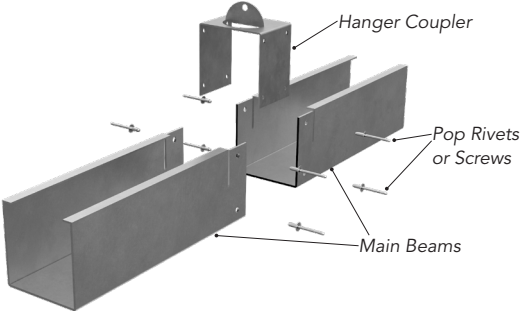


Product	Description	Beam Size Standard W/H	Beam Size Special Order W/H	Module Size	Material	Fire Class	Recycled Content
	Main and Cross Beams	1" x 1"	1" x 5"	12" x 12"	0.032 Aluminum	A	78%
		1" x 2"	2" x 6"	24" x 24"			
		1" x 4"	2" x 8"	36" x 36"			
		2" x 2"	3" x 6"	30" x 30"			
		2" x 4"	5" x 5"	Custom			
		3" x 3"	6" x 6"	-			
		4" x 4"	-	-			
	Perimeter Channel	Sized to match beam	N/A	N/A	0.032 Aluminum	A	78%
	Hanger Coupler	N/A	N/A	N/A	Steel	A	30%

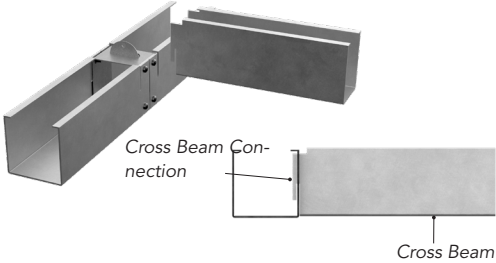
Beamgrid is specifically produced for the space it will be installed in. Please submit a reflective ceiling plan and specification for pricing. Beamgrid is a non-load bearing system. Fixtures must be independently supported.

# Rockfon® Beamgrid® Open Plenum Ceiling System

## Installation Details



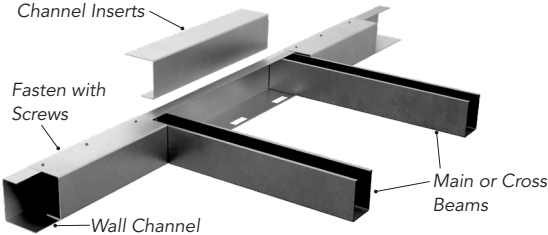
Hanger Couplers, used for suspension, are secured to main beams with pop rivets or screws.



Cross beams are hooked into main beams.



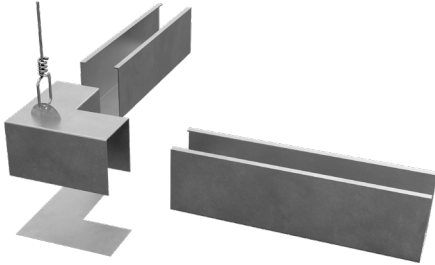
At the wall, beams are inserted in wall channel and secured with screws.



For some ceilings, a double channel installation can be used, by installing a channel insert to create the appearance of a full beam.



Infinity™ can be used for floating perimeters by attaching the 430.00 clip to the beam.

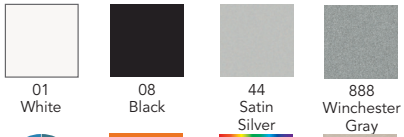


Corner splices used at floating corners.

# Rockfon® Beamgrid® Open Plenum Ceiling System

## Color Chart

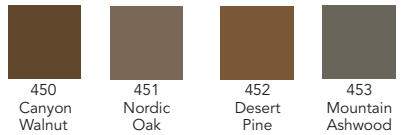
### Standard Colors



### Other Painted Colors



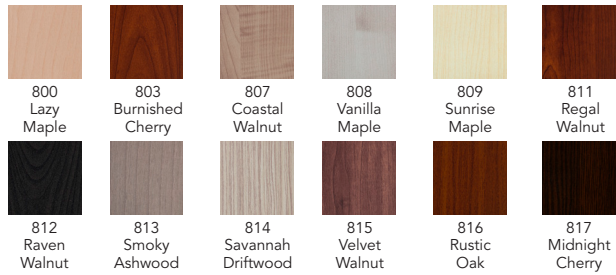
### Woodlands™ Solid Coordinating Colors



### Metalwood® Solid Coordinating Colors



### Woodscenes® Finishes



Colors shown are reproduced as close as possible to actual product color within the limitations of printing technology. Color chips are available upon request and should be reviewed before making a final selection. Variations in color matches of system components to ceiling panels can result from slight differences in texture, room lighting, painting process and subjectivity of observers.

As stated in CISCA's "Metal Ceilings Technical Guidelines," site conditions can impact installed visual appearance of metal ceilings. Usage of high gloss and metallic finishes in areas of critical lighting may alter final appearance and should be considered for finish selection.

# Rockfon® Beamgrid® Open Plenum Ceiling System

## Properties

### Material

0.032" Aluminum



#### Fire Performance

Surface burning characteristics:  
UL723 (ASTM E84) Flame Spread Index: 0  
Smoke Developed Index (UL Labeled): 0



#### Environment

Aluminum: 78% recycled content.  
100% locally recyclable.



#### Warranty

1-Year Limited Product Warranty  
See [rockfon.com](http://rockfon.com)



#### Hygiene

Metal provides no sustenance  
to microorganisms



#### Cleaning

✓ Damp cloth

070924

### Rockfon

4849 S. Austin Ave.  
Chicago, IL 60638 USA