

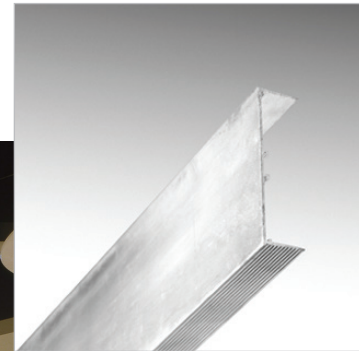
Rockfon® Infinity™ D Drywall Perimeter Trim

Features & Benefits

- Finish edge trim with integral, grooved mud flap for interior, suspended drywall ceiling perimeters.
- Accepts up to 3/4" gypsum panels.
- Primed for adhesion of joint compound and paint.
- Available straight or curved to designer specifications.
- Integrates with Chicago Metallic® Drywall Suspension systems and industry standard drywall suspension systems.
- Can be used with Rockfon® Mono® Acoustic Monolithic Acoustical ceilings.

Applications

- Ceiling Projections
- Free-floating Islands
- Light Coves
- Ceiling Height Transitions



Rockfon® Infinity™ D Drywall Perimeter Trim

LEED® v4.1 Highlights

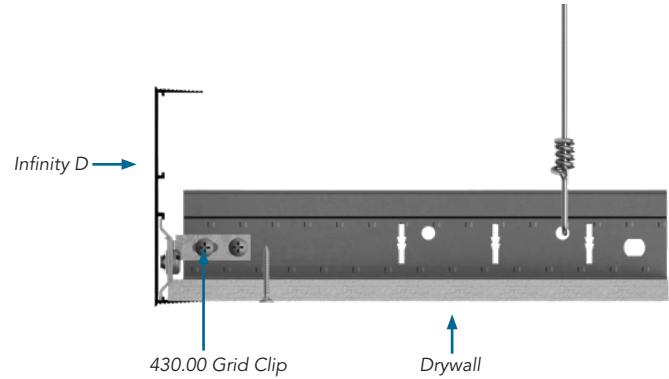
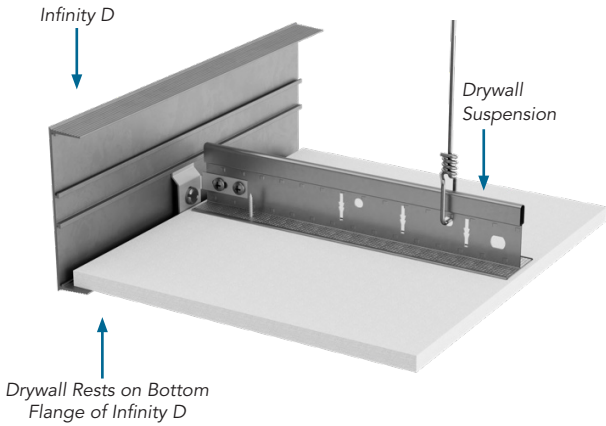
Materials and Resources (MR)

- Waste Management Planning ✓
- Interiors Life Cycle Impact Reduction ✓
- Environmental Product Declarations ✓
- Sourcing of Raw Materials ✓
- Material Ingredients -
- Waste Management ✓

Indoor Environmental Quality (EQ)

- Low-Emitting Materials ✓
- Interior Lighting -
- Acoustic Performance -

Recycled Content: Aluminum 75%



Family Number & Name	Profile	Dimensions		Material	Fire Class	Low VOC	Recycled Content
		Height	Flanges				
Straight Infinity D INFE:DRY 252565		4"	3/4"	Extruded Aluminum	A	✓	75%
		6"	3/4"				
Curved Infinity D* INFC:DRY 252566		4"	3/4"	Extruded Aluminum	A	✓	75%
		6"	3/4"				

Product Code Example:
INFC:DRY:6":00:None

Family Number	Height	Finish	Color
INFC:DRY	6"	00	None
Standard Curved Infinity		Unfinished Coated	

Infinity D is provided with a finish to accept most paints and drywall compounds.

* Minimum Radius on Curved Infinity is 18".

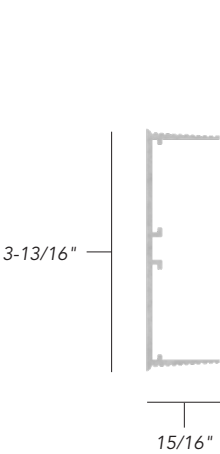
Engineered Product available as straight, curved or a combination of both.

Submittal drawings are required for all Engineered Infinity projects.

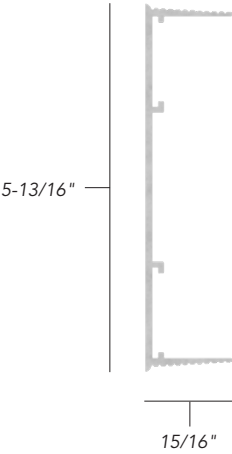
Unpainted galvanized grid clips, splices, and corner splices included on Engineered projects.

Rockfon® Infinity™ D Drywall Perimeter Trim

Profile Sizes - Available Straight or Curved



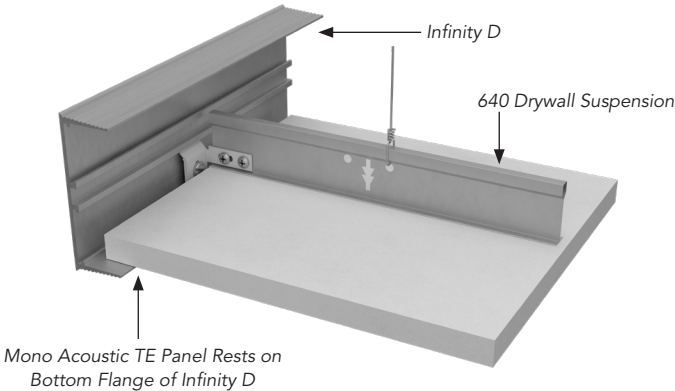
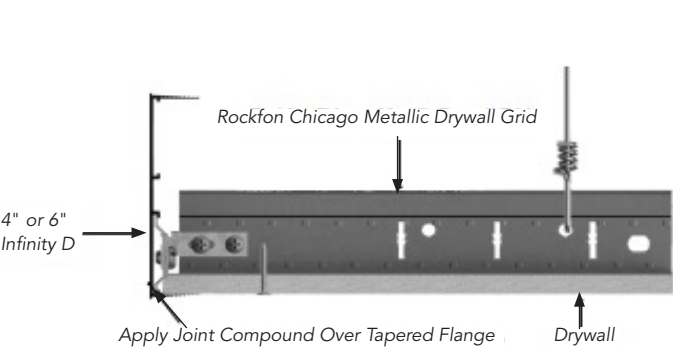
4" Infinity D



6" Infinity D

Compatibility

Infinity™ D Drywall Perimeter is compatible with the Chicago Metallic® 640 / 650 Drywall Suspension System and the Rockfon® Mono® Acoustic Monolithic Ceiling System.

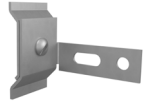


Rockfon® Infinity™ D Drywall Perimeter Trim

Accessories



414.00 Straight Splice
Splices Perimeter Trim Sections
312033



430.00 Grid Clip
Suspension to Trim
312035



417.00 Inside Corner Splice
For Splicing at Inside Corners
249359

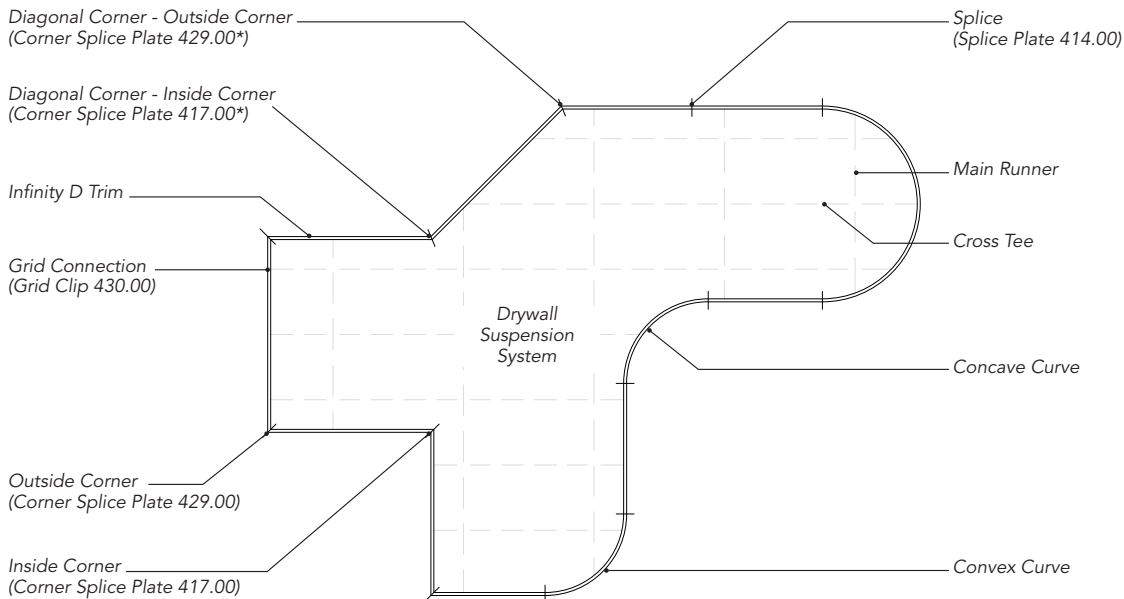


429.00 Outside Corner Splice
For Splicing at Outside Corners
249360

Grid Clip and Splice Plate Accessories Chart (Accessories Needed per Infinity Trim Height - per 12' of Infinity Trim Length)		
Accessory	Infinity Panel Depth	
	4"	6"
Grid Clip		
430.00	6	6
Splice Plate - Square Cut Edge		
414.00	2	2
Corner Splice Plate		
417.00 - Inside	2	2
429.00 - Outside	2	2

Note:
Unpainted, galvanized Grid Clip 430.00 and Splice Plate 414.00 included with trim.
Corner Splice Plate sold separately.

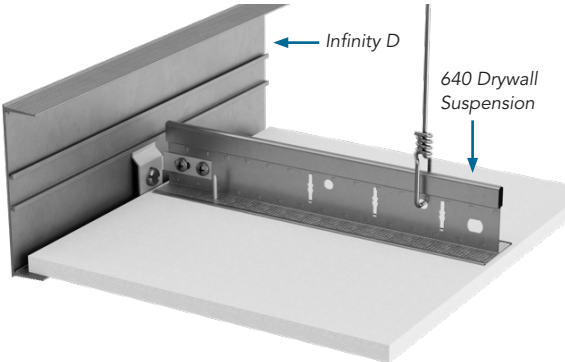
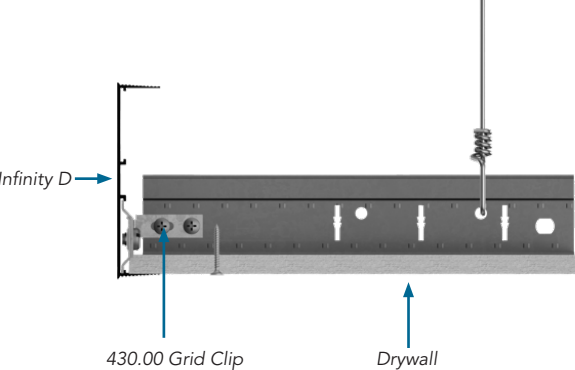
Reflective Ceiling Plan Example



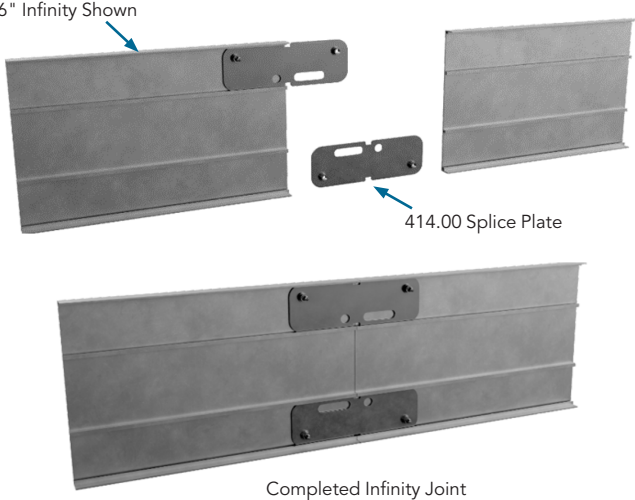
* Field modify Corner Splice Plate to achieve desired angle greater than or less than 90°.

Rockfon® Infinity™ D Drywall Perimeter Trim

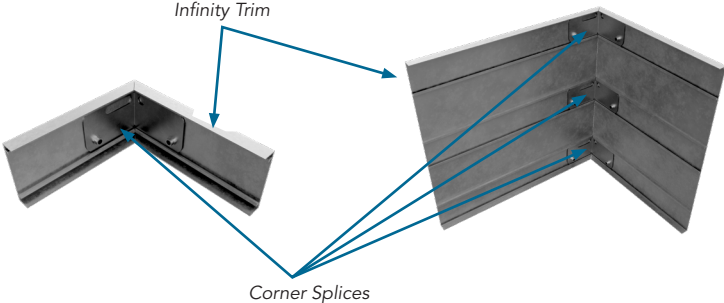
Installation Details



Installation of Infinity with Drywall Grid and Gypsum Board



Installation of 414.00 Straight Splices



Corner Splice Installation

Rockfon® Infinity™ D Drywall Perimeter Trim

Properties

Material

Extruded Aluminum



Fire Performance

Surface burning characteristics:
UL723 (ASTM E84) Flame Spread Index: 0
Smoke Developed Index: 0



Environment

75% recycled content
100% locally recyclable



Warranty

1-Year Limited Product Warranty
See rockfon.com



Hygiene

Metal provides no sustenance
to microorganisms



Cleaning

✓ Damp cloth

081624

Rockfon

4849 S. Austin Ave.
Chicago, IL 60638 USA