

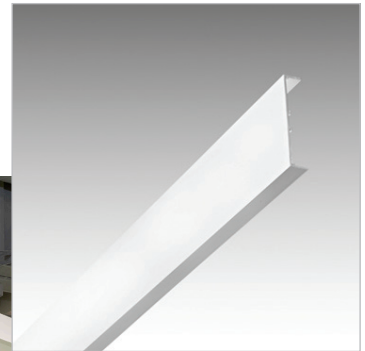
Rockfon[®] Infinity[™] Engineered Perimeter Trim

Features & Benefits

- Finish edge trim for interior suspended ceiling perimeters.
- Manufactured and finished in straight or curved lengths to designer specifications with square cut or mitered ends.
- Variety of height and finish options available.
- Integrates with Chicago Metallic[®] Ceiling Suspension, Rockfon Stone Wool Ceiling Panels, Rockfon Metal Ceiling systems and industry standard T-Bar grid.

Applications

- Ceiling Projections
- Free-floating Islands
- Light Coves
- Ceiling Height Transitions



Project – Heritage E-Stem Magnet School, West St. Paul, MN, USA
Product – 4" Engineered Infinity[™] Perimeter Trim

Rockfon® Infinity™ Engineered Perimeter Trim

LEED® v4.1 Highlights

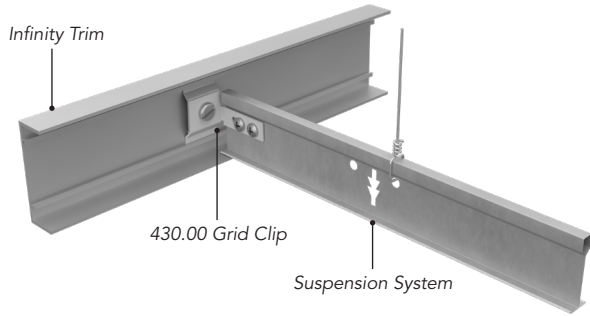
Materials and Resources (MR)

- Waste Management Planning ✓
- Interiors Life Cycle Impact Reduction ✓
- Environmental Product Declarations ✓
- Sourcing of Raw Materials ✓
- Material Ingredients -
- Waste Management ✓

Indoor Environmental Quality (EQ)

- Low-Emitting Materials ✓
- Interior Lighting -
- Acoustic Performance -

Recycled Content: Aluminum 75%



Family Number & Name	Profile	Dimensions		Material	Fire Class	Low VOC	Recycled Content
		Height	Flanges				
Straight Infinity INFC:STD 252565		2"	3/4"	Extruded Aluminum	A	✓	75%
		4"	3/4"				
		6"	3/4"				
		8"	3/4"				
		10"	3/4"				
		12"	3/4"				
Curved Infinity* INFC:STD 252566		2"	3/4"	Extruded Aluminum	A	✓	75%
		4"	3/4"				
		6"	3/4"				
		8"	3/4"				
		10"	3/4"				
		12"	3/4"				

Product Code Example:

INFC:STD:6":44:None

Family Number Height Color

INFC:STD **6"** **44**

Standard Satin Silver

Curved Infinity

* Minimum Radius on Curved Infinity is 18".

Engineered Product available as straight, curved or a combination of both.

Submittal drawings are required for all Engineered Infinity projects.

Unpainted galvanized grid clips, splices, and corner splices included on Engineered projects.

Rockfon® Infinity™ Engineered Perimeter Trim

Color Chart

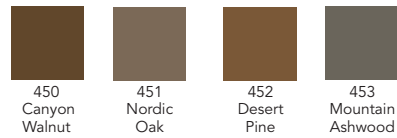
Standard Colors



Other Painted Colors



Woodlands™ Solid Coordinating Colors



Metalwood® Solid Coordinating Colors



Woodscenes® Finishes

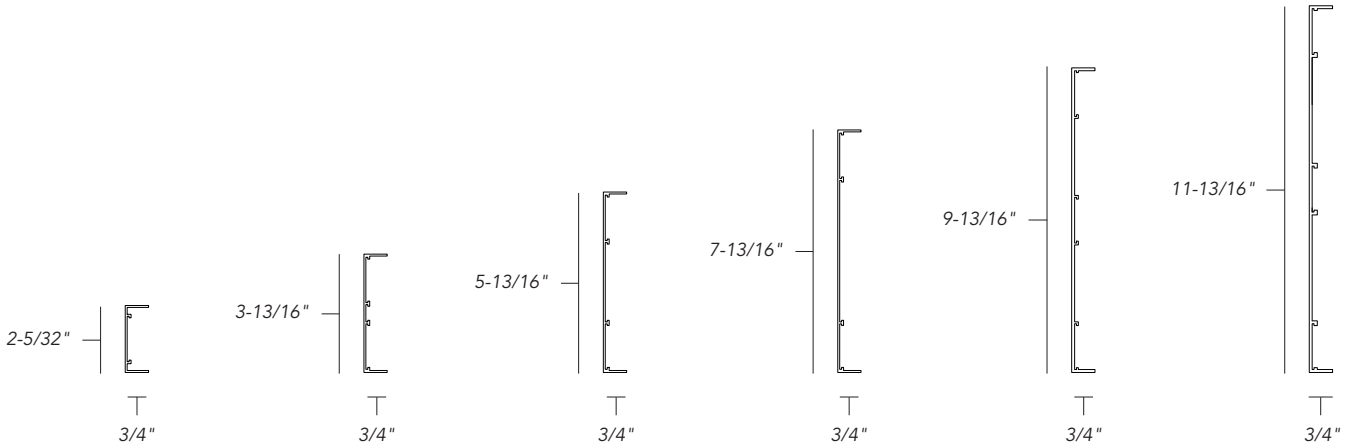


Colors shown are reproduced as close as possible to actual product color within the limitations of printing technology. Color chips are available upon request and should be reviewed before making a final selection. Variations in color matches of system components to ceiling panels can result from slight differences in texture, room lighting, painting process and subjectivity of observers.

As stated in Cisca's "Metal Ceilings Technical Guidelines," site conditions can impact installed visual appearance of metal ceilings. Usage of high gloss and metallic finishes in areas of critical lighting may alter final appearance and should be considered for finish selection.

Rockfon® Infinity™ Engineered Perimeter Trim

Profile Sizes - Available Straight or Curved



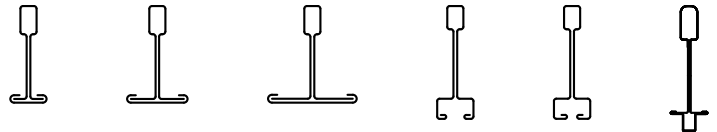
Infinity Engineered 2" profile
 Infinity Engineered 4" profile
 Infinity Engineered 6" profile
 Infinity Engineered 8" profile
 Infinity Engineered 10" profile
 Infinity Engineered 12" profile

Compatibility

Infinity Engineered Straight Standard Profile and Infinity Engineered Curved Standard Profile are compatible with:

- Chicago Metallic® Ceiling Suspension systems
- Rockfon Metal Ceiling suspension systems
- Industry standard T-Bar grid systems

See datasheets of Chicago Metallic® Ceiling Suspension systems and Rockfon Metal Ceiling systems for more information.



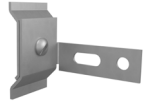
Chicago Metallic® Grid Profiles

Rockfon® Infinity™ Engineered Perimeter Trim

Accessories



414.00 Straight Splice
Splices Perimeter Trim Sections
249358



430.00 Grid Clip
Suspension to Trim
249361



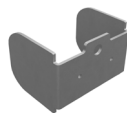
417.00 Inside Corner Splice
For Splicing at Inside Corners
249359



429.00 Outside Corner Splice
For Splicing at Outside Corners
249360



446.36.000 Paired Infinity
Bracket 2" for 3/4" Reveal
249545



446.46.00 Paired Infinity
Bracket 3" for 1-3/8" Reveal
249546



End Cap for Paired Infinity
(per order)
252595



Infinity to Concealed Panels
(per order)
448.9xxx/252596



448.940
Infinity to Planar Clip
252596

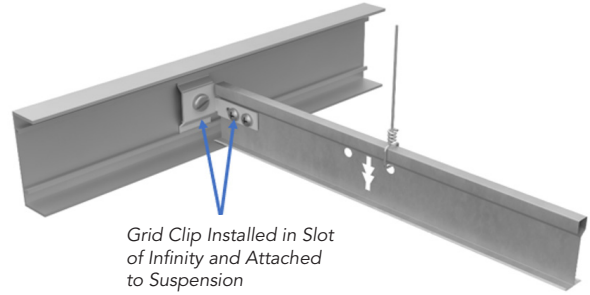
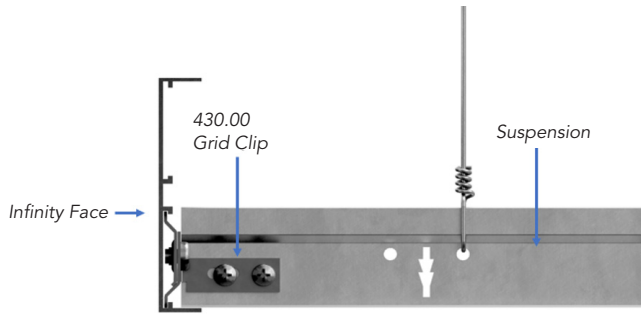


448.00
Infinity to Planostile Clip
249369

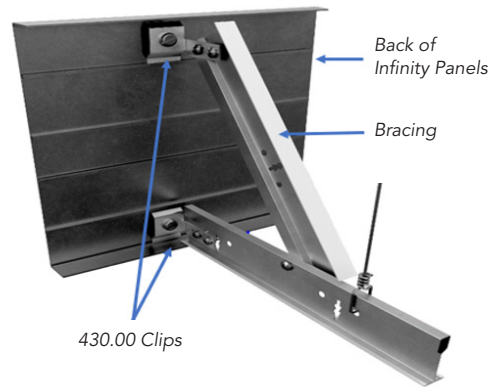
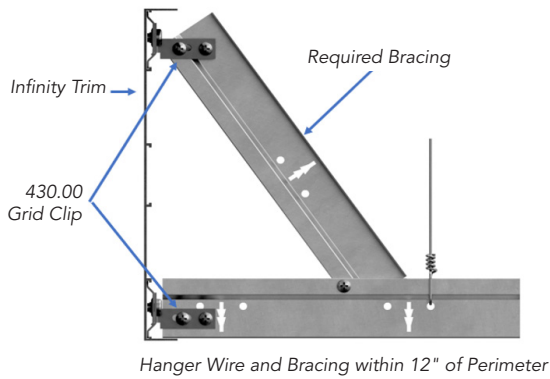
Grid Clip and Splice Plate Accessories Chart (accessories needed per Infinity Trim height - per 12' of Infinity Trim length)						
Accessory	Infinity Trim Height					
	2"	4"	6"	8"	10"	12"
Grid Clip						
430.00	6	6	6	6	6	6
Splice Plate - Square Cut Edge						
414.00	1	2	2	2	3	3
Corner Splice Plate						
417.00 - Inside	1	2	2	2	3	3
429.00 - Outside	1	2	2	2	3	3

Rockfon® Infinity™ Engineered Perimeter Trim

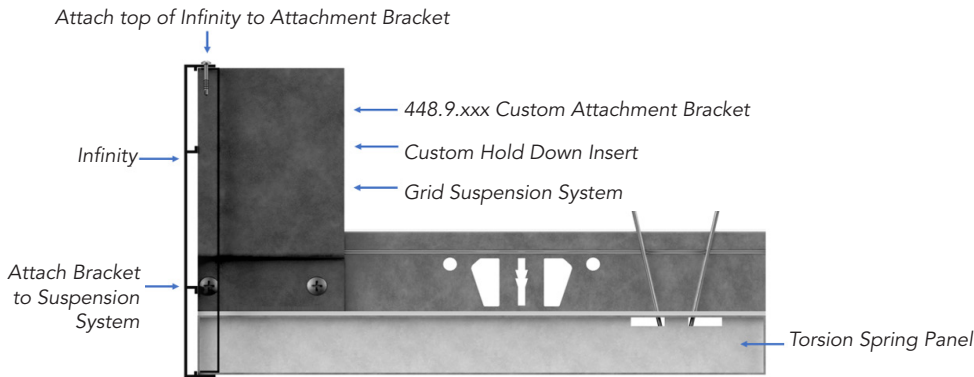
Installation Details



Standard Installation for 2" - 8" Infinity



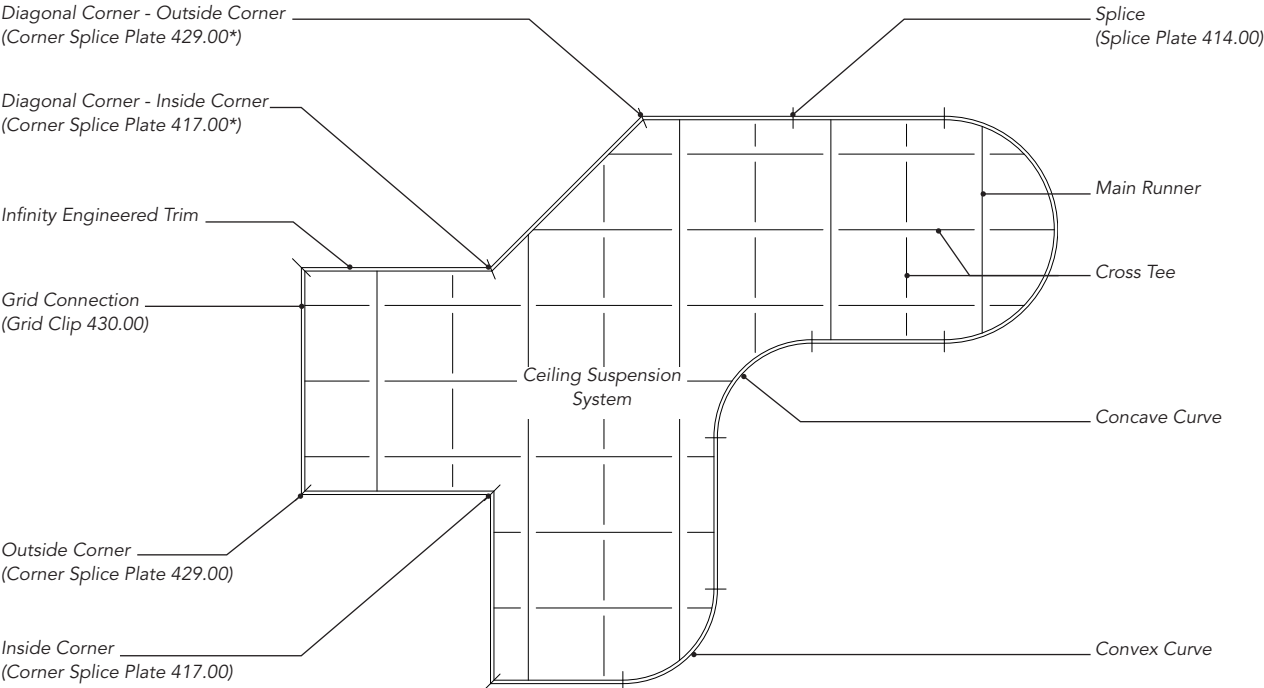
Installation for 10" and 12" Infinity



Concealed Panel Installation

Rockfon® Infinity™ Engineered Perimeter Trim

Reflective Ceiling Plan Example



* Field modify Corner Splice Plate to achieve desired angle greater than or less than 90°.

Rockfon® Infinity™ Engineered Perimeter Trim

Properties

Material

Extruded Aluminum



Fire Performance

Surface burning characteristics:
UL723 (ASTM E84) Flame Spread Index: 0
Smoke Developed Index: 0



Environment

75% recycled content
100% locally recyclable



Warranty

1-Year Limited Product Warranty
See rockfon.com



Hygiene

Metal provides no sustenance
to microorganisms



Cleaning

✓ Damp cloth

070924

Rockfon

4849 S. Austin Ave.
Chicago, IL 60638 USA