

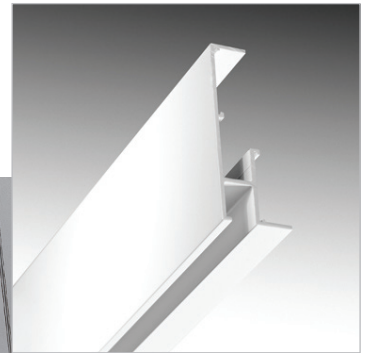
Rockfon® Infinity™ R Reveal Edge Perimeter Trim

Features & Benefits

- Finish edge trim with reveal edge detail for interior suspended ceiling perimeters.
- Available pre-finished in straight lengths with square cut or mitered ends.
- Variety of finish options available.
- Integrates with Chicago Metallic® Ceiling Suspension, Rockfon Stone Wool Ceiling Panels, Rockfon Metal Ceiling systems and industry standard T-Bar grid.

Applications

- Ceiling Projections
- Free-floating Islands
- Light Coves
- Ceiling Height Transitions



Rockfon® Infinity™ R Reveal Edge Perimeter Trim

LEED® v4.1 Highlights

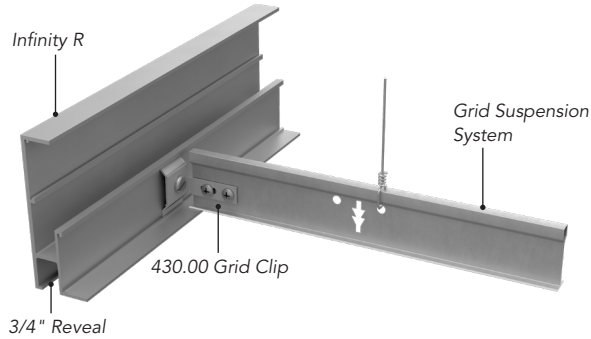
Materials and Resources (MR)

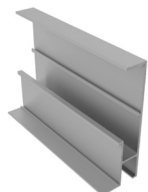
- Waste Management Planning ✓
- Interiors Life Cycle Impact Reduction ✓
- Environmental Product Declarations ✓
- Sourcing of Raw Materials ✓
- Material Ingredients -
- Waste Management ✓

Indoor Environmental Quality (EQ)

- Low-Emitting Materials ✓
- Interior Lighting -
- Acoustic Performance -

Recycled Content: Aluminum 75%



Family Number & Name	Profile	Dimensions		Material	Fire Class	Low VOC	Recycled Content
		Height	Flanges				
252565 INFE:REV	 Infinity R Reveal Edge	4"	3/4"	Extruded Aluminum	A	✓	75%

Product Code Example:

INFE:REV:4":44:None

Family Number | Height | Color
INFE:REV | **4"** | **44**
 Infinity "R" | Satin Silver
 Reveal Edge

Available in straight 12' lengths or cut to length as an engineered product (Shop drawings required).

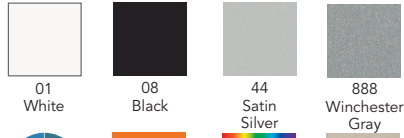
Submittal drawings are required for all Engineered Infinity projects.

Unpainted galvanized grid clips, splices, and corner splices included on Engineered projects.

Rockfon® Infinity™ R Reveal Edge Perimeter Trim

Color Chart

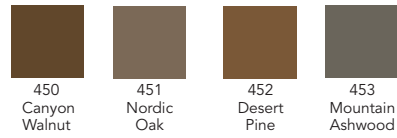
Standard Colors



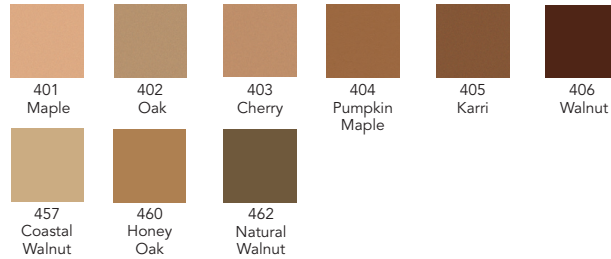
Other Painted Colors



Woodlands™ Solid Coordinating Colors



Metalwood® Solid Coordinating Colors



Woodscenes® Finishes



Colors shown are reproduced as close as possible to actual product color within the limitations of printing technology. Color chips are available upon request and should be reviewed before making a final selection. Variations in color matches of system components to ceiling panels can result from slight differences in texture, room lighting, painting process and subjectivity of observers.

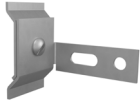
As stated in CISCAs "Metal Ceilings Technical Guidelines," site conditions can impact installed visual appearance of metal ceilings. Usage of high gloss and metallic finishes in areas of critical lighting may alter final appearance and should be considered for finish selection.

Rockfon® Infinity™ R Reveal Edge Perimeter Trim

Accessories



414.00 Straight Splice
Splices Perimeter Trim Sections
249358



430.00 Grid Clip
Suspension to Trim
249361



417.00 Inside Corner Splice
For Splicing at Inside Corners
249359



429.00 Outside Corner Splice
For Splicing at Outside Corners
249360



448.940
Infinity to Planar Clip
252596



448.00
Infinity to Planostile Clip
249369



447.00
Horizontal Splice Plate
249368

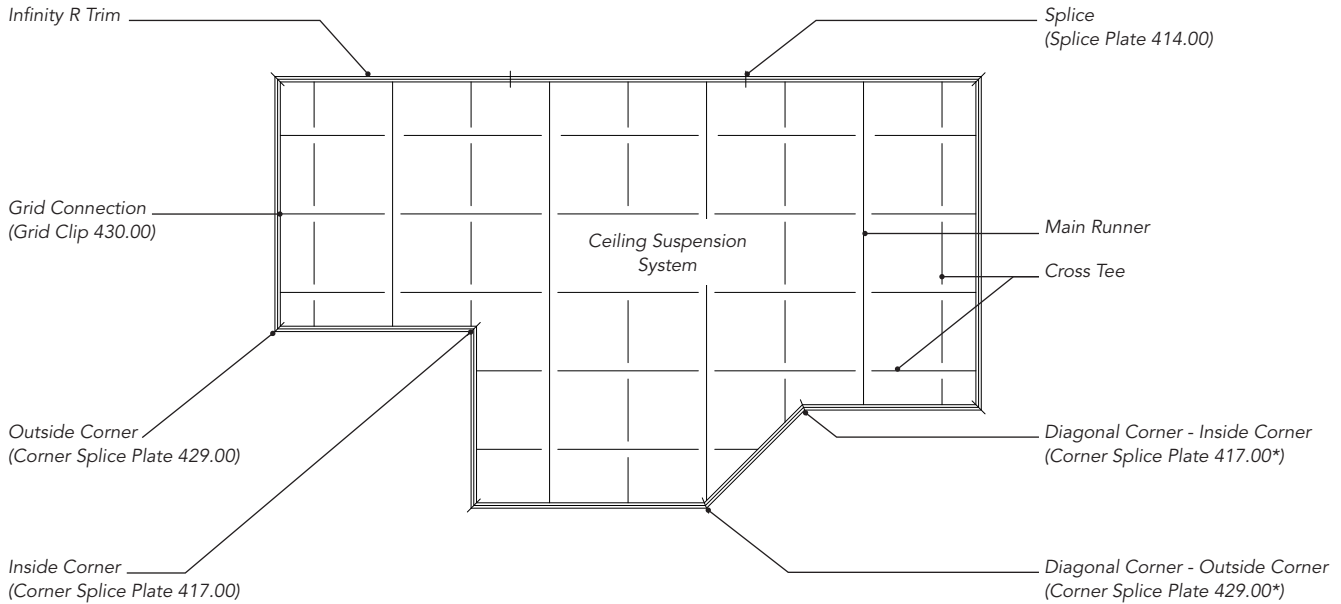


Infinity to Concealed Panels
(per order)
448.9xxx

Grid Clip and Splice Plate Accessories Chart Accessories Needed per 12' of Infinity R Reveal Edge				
Grid Clip	Splice Plate	Corner Splices		Horizontal Splice
		Inside	Outside	
430.00	414.00	417.00	429.00	447.00
6	2	2	2	0

Rockfon® Infinity™ R Reveal Edge Perimeter Trim

Reflective Ceiling Plan Example



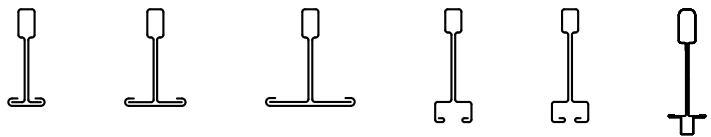
* Field modify Corner Splice Plate to achieve desired angle greater than or less than 90°.

Compatibility

Infinity R Reveal Edge Profile is compatible with:

- Chicago Metallic® Ceiling Suspension systems
- Rockfon Metal Ceiling suspension systems
- Industry standard T-Bar grid systems

See datasheets of Chicago Metallic® Ceiling Suspension systems and Rockfon Metal Ceiling systems for more information.

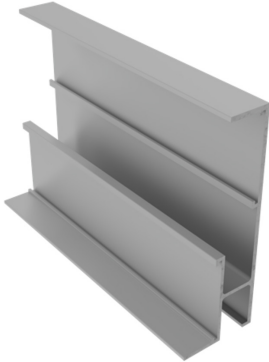


Chicago Metallic® Grid Profiles

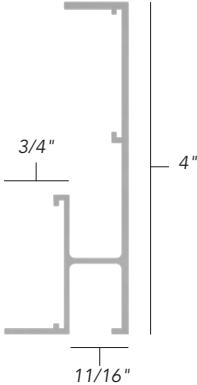
For best appearance, use flat lay-in panels with standard profiles. Use reveal edge tiles with slotted grid or double-slot grid profiles.

Rockfon® Infinity™ R Reveal Edge Perimeter Trim

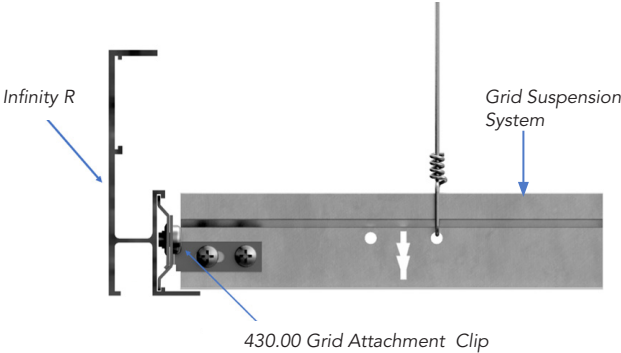
Installation Details



Infinity "R" Reveal Edge Perimeter Trim



Dimensions



Infinity "R" to Grid Suspension System

Rockfon® Infinity™ R Reveal Edge Perimeter Trim

Properties

Material

Extruded Aluminum



Fire Performance

Surface burning characteristics:
UL723 (ASTM E84) Flame Spread Index: 0
Smoke Developed Index: 0



Environment

75% recycled content
100% locally recyclable



Warranty

1-Year Limited Product Warranty
See rockfon.com



Hygiene

Metal provides no sustenance
to microorganisms



Cleaning

✓ Damp cloth

070924

Rockfon

4849 S. Austin Ave.
Chicago, IL 60638 USA