

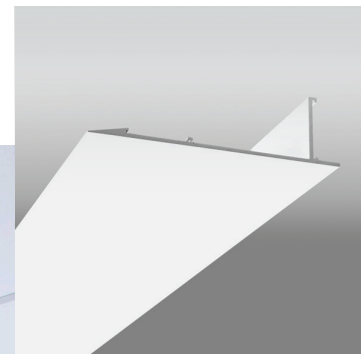
# Rockfon<sup>®</sup> Infinity<sup>™</sup> Z Razor Edge Perimeter Trim

## Features & Benefits

- Finish edge trim with knife edge detail for interior suspended ceiling perimeters.
- Available pre-finished in straight lengths with square cut or mitered ends.
- Variety of finish options available.
- Integrates with Chicago Metallic<sup>®</sup> Ceiling Suspension, Rockfon Stone Wool Ceiling Panels, Rockfon Metal Ceiling systems and industry standard T-Bar grid.

## Applications

- Ceiling Projections
- Free-floating Islands
- Light Coves



# Rockfon® Infinity™ Z Razor Edge Perimeter Trim

## LEED® v4.1 Highlights

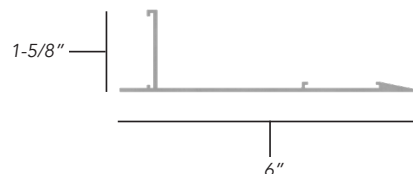
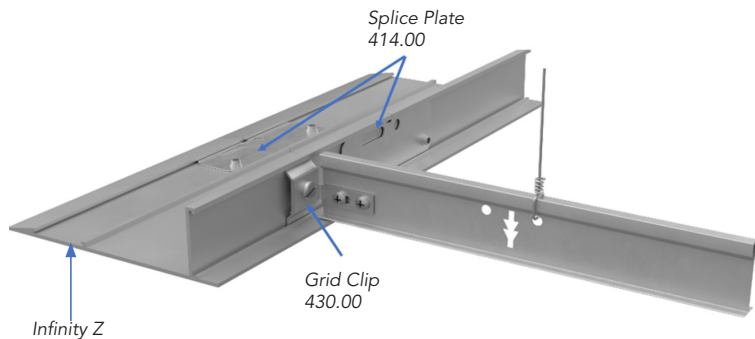
### Materials and Resources (MR)

- Waste Management Planning ✓
- Interiors Life Cycle Impact Reduction ✓
- Environmental Product Declarations ✓
- Sourcing of Raw Materials ✓
- Material Ingredients -
- Waste Management ✓

### Indoor Environmental Quality (EQ)

- Low-Emitting Materials ✓
- Interior Lighting -
- Acoustic Performance -

Recycled Content: Aluminum 75%



Family Number & Name	Profile	Dimensions		Material	Fire Class	Low VOC	Recycled Content
		Height	Flanges				
252565 INFE:RAZ		2"	6"	Extruded Aluminum	A	✓	75%



Product Code Example:

**INFE:RAZ:6":44:None**

Family Number Flange Color

**INFE:RAZ**

**6"**

**44**

Infinity Razor  
Edge

Satin Silver

Available in straight 12' lengths or cut to length as an engineered product (Shop drawings required).

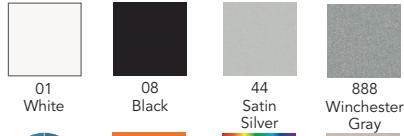
Submittal drawings are required for all Engineered Infinity projects.

Unpainted galvanized grid clips, splices, and corner splices included on Engineered projects.

# Rockfon® Infinity™ Z Razor Edge Perimeter Trim

## Color Chart

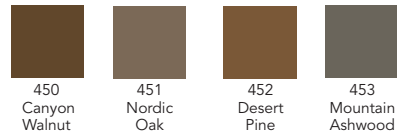
### Standard Colors



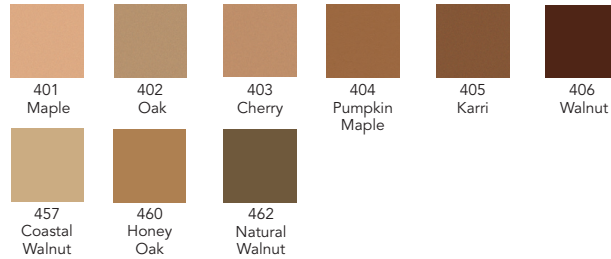
### Other Painted Colors



### Woodlands™ Solid Coordinating Colors



### Metalwood® Solid Coordinating Colors



### Woodscenes® Finishes



Colors shown are reproduced as close as possible to actual product color within the limitations of printing technology. Color chips are available upon request and should be reviewed before making a final selection. Variations in color matches of system components to ceiling panels can result from slight differences in texture, room lighting, painting process and subjectivity of observers.

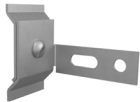
As stated in CISCAs "Metal Ceilings Technical Guidelines," site conditions can impact installed visual appearance of metal ceilings. Usage of high gloss and metallic finishes in areas of critical lighting may alter final appearance and should be considered for finish selection.

# Rockfon® Infinity™ Z Razor Edge Perimeter Trim

## Accessories



414.00 Straight Splice  
Splices Perimeter Trim Sections  
249358



430.00 Grid Clip  
Suspension to Trim  
249361



417.00 Inside Corner Splice  
For Splicing at Inside Corners  
249359



429.00 Outside Corner Splice  
For Splicing at Outside Corners  
249360



448.940  
Infinity to Planar Clip  
252596



448.00  
Infinity to Planostile Clip  
249369



447.00  
Horizontal Splice Plate  
249368

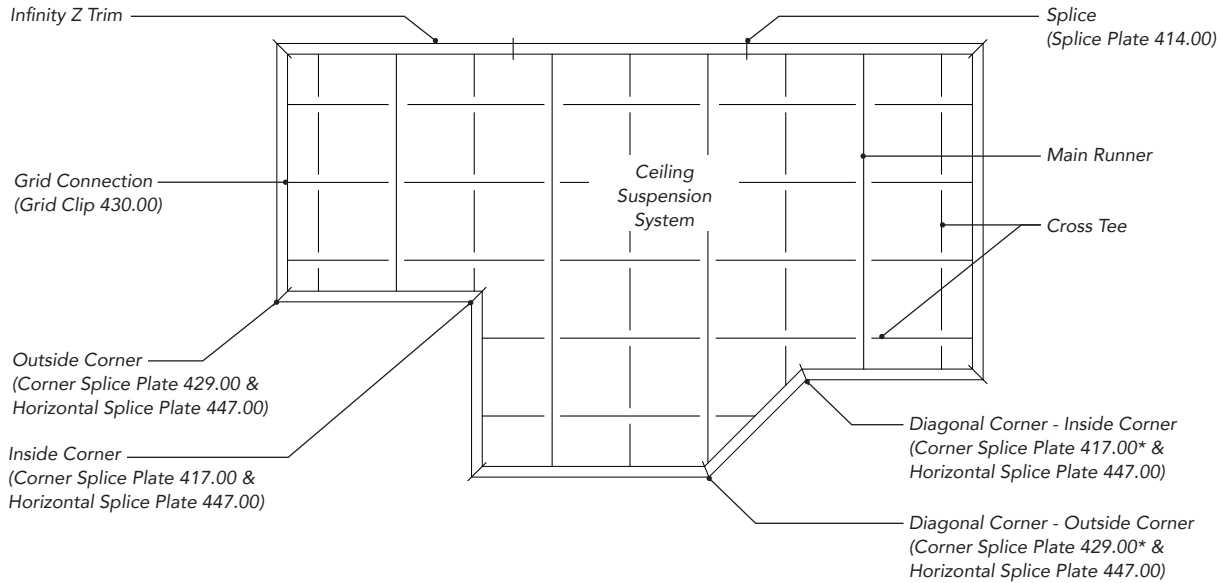


Infinity to Concealed Panels  
(per order)  
448.9xxx

Grid Clip and Splice Plate Accessories Chart Accessories needed per 12' of Infinity Z Trim				
Grid Clip	Splice Plate	Corner Splices		Horizontal Splice
		Inside	Outside	
430.00	414.00	417.00	429.00	447.00
6	1	1	1	1

# Rockfon® Infinity™ Z Razor Edge Perimeter Trim

## Reflective Ceiling Plan Example



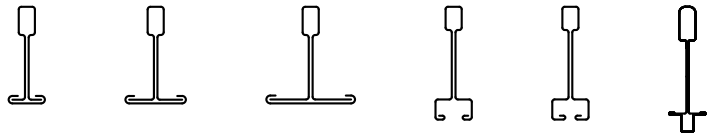
\* Field modify Corner Splice Plate to achieve desired angle greater than or less than 90°.

## Compatibility

### Infinity Z Perimeter Trim is compatible with:

- Chicago Metallic® Ceiling Suspension systems
- Rockfon Metal Ceiling suspension systems
- Industry standard T-Bar grid systems

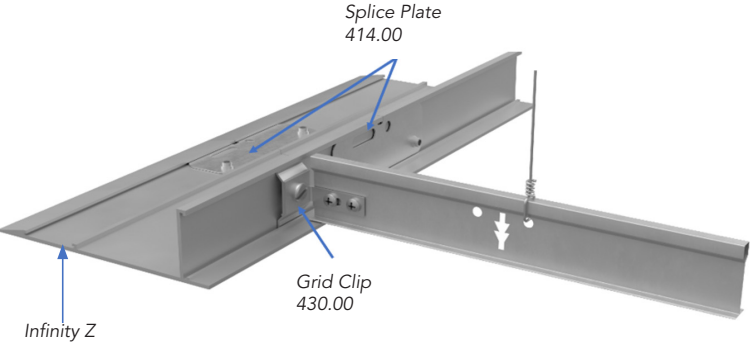
See datasheets of Chicago Metallic® Ceiling Suspension systems and Rockfon Metal Ceiling systems for more information.



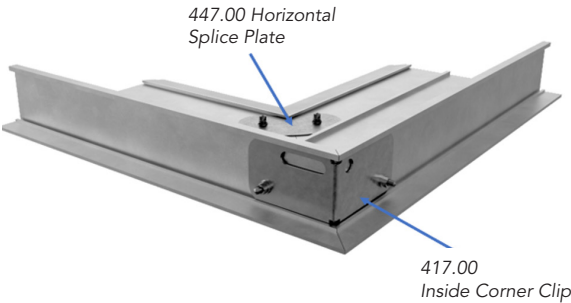
Chicago Metallic® Grid Profiles

# Rockfon® Infinity™ Z Razor Edge Perimeter Trim

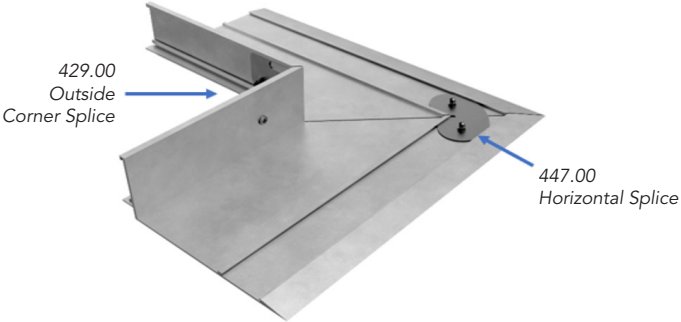
## Installation Details



**Infinity Z Installation  
Attachment to Grid Suspension System**



**Inside Corner Installation**



**Outside Corner Installation**

# Rockfon® Infinity™ Z Razor Edge Perimeter Trim

## Properties

### Material

Extruded Aluminum



#### Fire Performance

Surface burning characteristics:  
UL723 (ASTM E84) Flame Spread Index: 0  
Smoke Developed Index: 0



#### Environment

75% recycled content  
100% locally recyclable



#### Warranty

1-Year Limited Product Warranty  
See [rockfon.com](https://rockfon.com)



#### Hygiene

Metal provides no sustenance  
to microorganisms



#### Cleaning

✓ Damp cloth

070924

### Rockfon

4849 S. Austin Ave.  
Chicago, IL 60638 USA