

Rockfon® Planar® and Planar® Plus Linear Ceiling System

Features & Benefits

- Linear panel system, open reveal with optional filler strip (Planar) or integral filler strip (Planar Plus).
- Create linear designs for interior or exterior spaces.
- Curvilinear designs for interior spaces possible with carrier option.
- Visual design continuity from exterior to interior.
- Easily incorporates lighting, air, audio and other services.
- GREENGUARD Gold certification available with Woodlands™ woodgrain finishes.

Applications

- Airports
- Entrances
- Transit Facilities
- Retail
- Conference Centers
- Lobbies



Project – Helena Regional Airport - Helena, MT
Product – Planar® Linear Metal

Rockfon® Planar® and Planar® Plus Linear Ceiling System

LEED® v4.1 Highlights

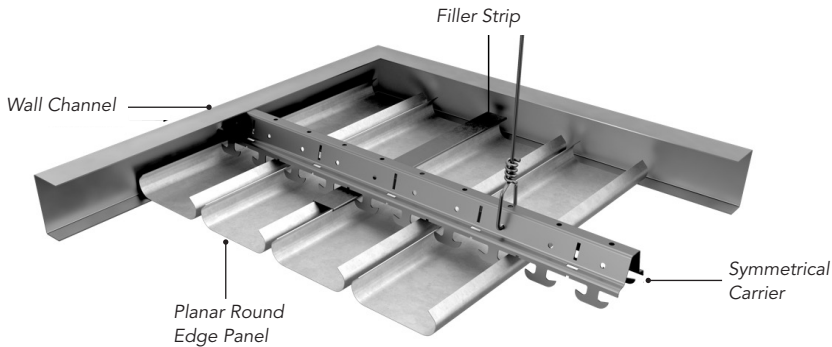
Materials and Resources (MR)

- Waste Management Planning ✓
- Interiors Life Cycle Impact Reduction ✓
- Environmental Product Declarations ✓
- Sourcing of Raw Materials ✓
- Material Ingredients -
- Waste Management ✓

Indoor Environmental Quality (EQ)

- Low-Emitting Materials ✓
- Interior Lighting -
- Acoustic Performance ✓

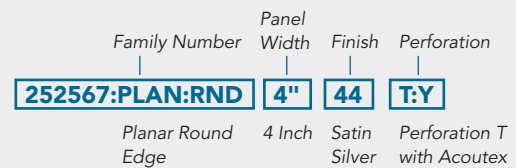
Recycled Content: 78% Aluminum
30% Steel



Family Number & Name	Panel Profile	Dimensions	Perforations (% Open Area)	Material	NRC	Fire Class	Low VOC	Recycled Content
Planar Panels 252567:PLAN	Open Reveal Panels	4" panel Height: 5/8" Face: 3-1/4"	Solid: 0% T: 7.6% Open AL: 15% Open	0.024 Aluminum	Up to .95	A	✓	78%
	Round Edge (RND)							
	Square Edge (SQE)							
	Planar Plus with Integral Filler*							
Round Edge Plus PRN								
Square Edge Plus PSQ								

Product Code Example:

252567:PLAN:RND:4":44:T:Y

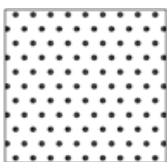


Standard panel length is 12 feet. Special panels lengths from 2' to 16' available on special order basis.

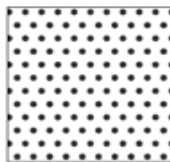
* Integral filler will match the finish of the panel face. Can be ordered with a contrasting black filler (interior use only).

Acoutex™ backer is standard on perforated panels. Perforated panels can be ordered without Acoutex backer.

Available Perforations



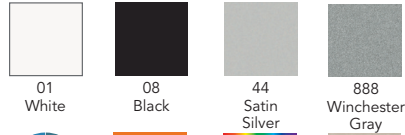
T
62R216S
0.0625" Diameter holes
0.216" Staggered centers
7.6% Open area



AL
78R196S
0.078" Diameter holes
0.196" Staggered centers
15% Open area

Rockfon® Planar® and Planar® Plus Linear Ceiling System Color Chart

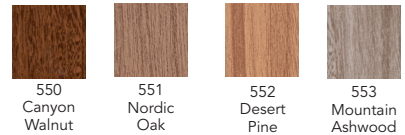
Standard Colors



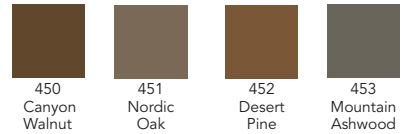
Other Painted Colors



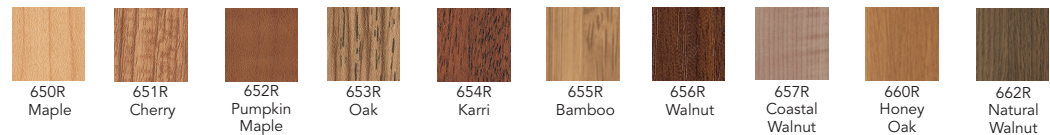
Woodlands™ Wood-Look



Woodlands™ Solid Coordinating Colors



Metalwood® Wood-Look Finishes (Interior Use Only)



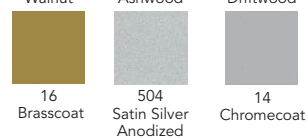
Metalwood® Solid Coordinating Colors



Woodscenes® Wood Look Powdercoat Finishes



Anodized Finishes



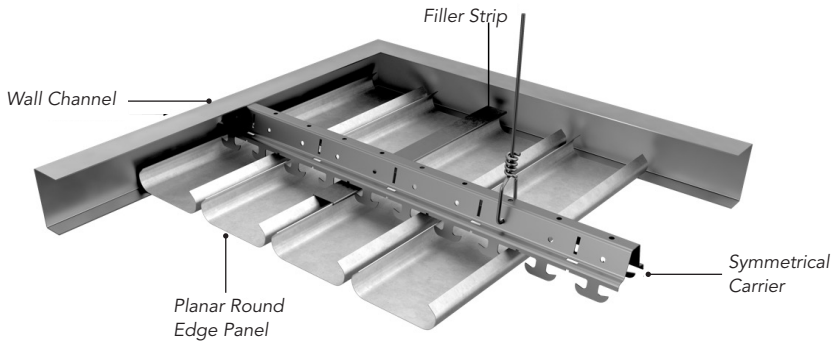
Colors shown are reproduced as close as possible to actual product color within the limitations of printing technology. Color chips are available upon request and should be reviewed before making a final selection. Variations in color matches of system components to ceiling panels can result from slight differences in texture, room lighting, painting process and subjectivity of observers.

As stated in CISCA's "Metal Ceilings Technical Guidelines," site conditions can impact installed visual appearance of metal ceilings. Usage of high gloss and metallic finishes in areas of critical lighting may alter final appearance and should be considered for finish selection.


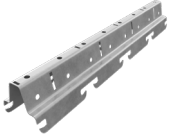


- GREENGUARD Gold certification available with Woodlands™ woodgrain finishes.
- All Wood Look finishes will have the grain pattern applied parallel to the length of the panel.
- Metalwood Woodgrain finishes are a 0.008" vinyl laminate which replicates the look of real wood.
- Woodscenes finishes are a decorative powdercoat finish replicating real wood.
- Woodlands and Woodscenes finishes are suitable for interior and exterior use.
- Metalwood finishes are for interior use only.

Rockfon® Planar® and Planar® Plus Linear Ceiling System

Suspension Components



Suspension Components

	Description	Catalog Number	Rockfon Material Number	Material	Packaging			
					Length	LFT	Pieces per Carton	Weight
	Symmetrical Carrier	58.01.007.008	249657	.040 Aluminum	12'	240	20	47
	Factory Curved Symmetrical Carrier	per order	252585	.040 Aluminum	12'	240	20	47
	Expansion Carrier	58.01.022.008	249659	.040 Aluminum	12'	240	20	47
	T-Bar Carrier for 4" & 8" Panels	1500.08C	249892	Steel	12'	144	12	23
	For 6" Panels	1501.08C	250268	Steel	12'	144	12	23
	Flat Carrier for 6" Panels	58.01.005.008	249656	.040 Aluminum	10'	200	20	40
	Flat Carrier for 4" & 8" Panels	58.01.008.008	249049	.040 Aluminum	10'	200	20	40

Sold in full carton quantities.

Symmetrical Carrier is required for all exterior applications.

For Factory Curved Radius Symmetrical Carrier, specify radius at time of order. Concave curving only.


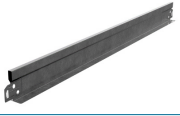

T-Bar Carriers for use in Seismic A-C interior spaces only.

Flat Carrier is for interior use only.

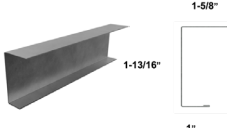
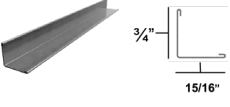
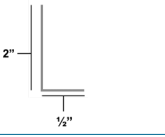
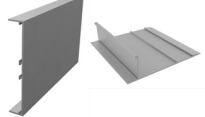
Rockfon® Planar® and Planar® Plus Linear Ceiling System

Suspension Accessories

Suspension Accessories

	Description	Catalog Number	Rockfon Material Number	Material	Packaging		
					Length	Pieces per Carton	Weight
	Symmetrical Carrier Splice	58.01.403.008	249665	Aluminum	N/A	50	4
	4' Cross Tee	1503.08C	249893	Steel	4'	50	38
	Stabilizer Bars						
	Interior 50"	58.01.028.008	249660	Aluminum	49-13/16"	50	33
	Exterior 36"	58.01.029.008	249662		35-13/16"	50	26
	Exterior 24"	58.01.027.008	249661		23-13/16"	50	21

Perimeter Components

	Description	Catalog Number	Rockfon Material Number	Material	Packaging		
					Length	Pieces per Carton	Weight
	Planar Wall Channel	58.03.017.xxx	Varies	Aluminum	10'	Per Order	1.2#
	Aluminum Wall Angle	38.90.124.xxx	Varies	Aluminum	12'	25	25
	Flex Angle Bare	38.35.995.000	250477	Aluminum	10'	Per Order	1.25#
	Infinity	Varies	252565	Aluminum	Per Order	Per Order	Per Order



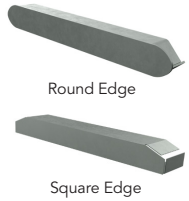
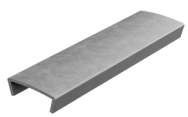
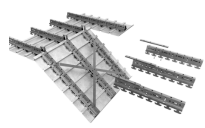


For exterior areas, wall channel should be used for the perimeter and to frame fixture locations.

Infinity for interior use only.

Rockfon® Planar® and Planar® Plus Linear Ceiling System

Planar Accessory Items

Planar Accessory Items


	Description	Catalog Number	Rockfon Material Number	Material	Packaging	
					Pieces per Carton	Weight
	Filler Strips					
	Recessed Filler 12'	58.01.009.xxx	252570	Aluminum	20	15
	Expansion Filler 12'	58.01.011.xxx	252570	Aluminum	20	15
	Panel Splices	58.01.004.xxx	252599	Aluminum	50	10
 Round Edge Square Edge	End Caps					
	Round Edge Panels	58.01.052.xxx	252597	Aluminum	100	5
	Square Edge Panels	58.03.171.xxx	252597	Aluminum	100	5
	Retention Clips					
	For Panels with Open Reveal	58.01.318.000	250523	Clear Plastic	500	4
	For Panels with Integral Filler	58.01.317.000	250522	Clear Plastic	500	4
	Access Door Kits*					
	Interior	58.01.058	249663	Varies	1	1
	Exterior	58.01.059	249664		1	1
	Infinity Attachment Clip	448.9xxx	252596	Steel	1	1
	Planar to Infinity Clip	448.940	252596	Steel	1	1

*Includes hardware for field construction of access doors.

Rockfon® Planar® and Planar® Plus Linear Ceiling System

Accessory Items

Acoustical Insulation Blankets

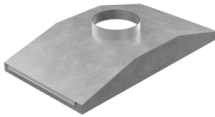
	Description	Catalog Number	Rockfon Material Number	Packaging		
				Length	Width	Sq.Ft.
	48" Acoustical Blanket 1" x 1# Black	58.01.103.008	250515	100'	4'	400
	48" Acoustical Blanket 1" x 1-1/2# Black	58.01.060.008	250506	100'	4'	400
	48" Acoustical Blanket 1-1/2" x 1# Black	58.01.104.008	250516	100'	4'	400
	48" Acoustical Blanket 1-1/2" x 1-1/2# Black	58.01.102.008	250514	100'	4'	400

Acoustical Performance

Panel Type	Reveal	Acoustical Insulation	NRC
Perforated Panel	Closed	Acoutex	0.70
Perforated Panel	Closed	1" x 1# Insulation	0.75
Perforated Panel	Closed	1" x 1.5# Insulation	0.80
Perforated Panel	Closed	1.5" x 1.5# Insulation	0.95

For a closed reveal, panels with an integral filler or open reveal panels with a separate filler strip are used.

Air Diffusers

	Description	Catalog Number	Rockfon Part Number	Packaging	
				Pieces per Carton	Weight
	Air Diffuser - 2 Slot Unit, 8" Collar, 9" Width	58.01.072	250510	1	10
	Air Diffuser - 4 Slot Unit, 10" Collar, 17" Width	58.01.074	250511	1	13
	Air Diffuser - 6 Slot Unit, 12" Collar, 25" Width	58.01.076	250512	1	16
	Air Diffuser - 8 Slot Unit, 14" Collar, 33" Width	58.01.078	250513	1	20
	Round Edge Planar Pattern Control	58.01.108	250519	1	1
	Square Edge Planar Pattern Control	58.01.107	250518	1	1

Extended lead times apply - Order diffusers prior to panel order.

Air diffusers are designed to install as tailored components of the Planar and Planar Macro Linear Metal Systems.

Number of slots based on 4" panel.

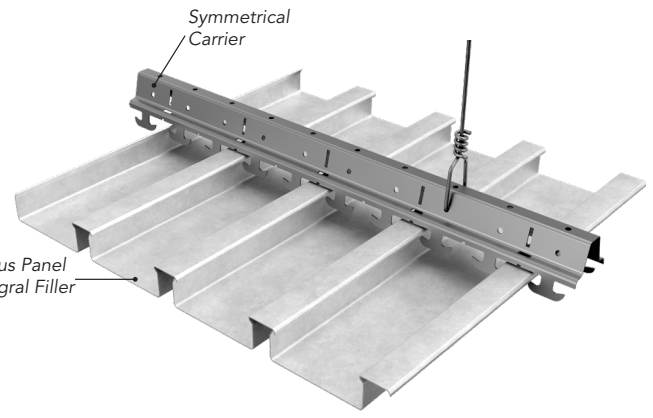
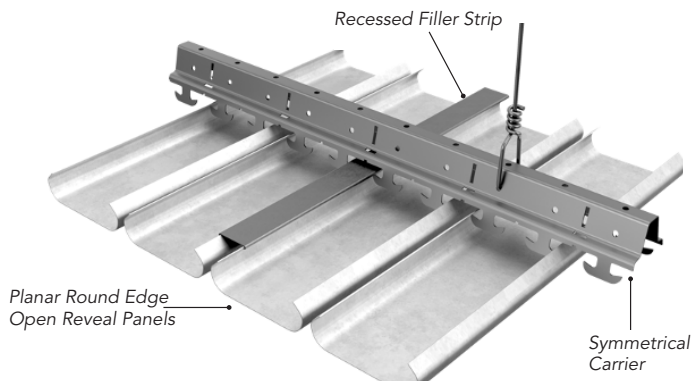
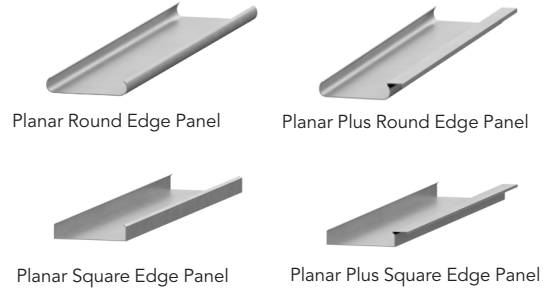
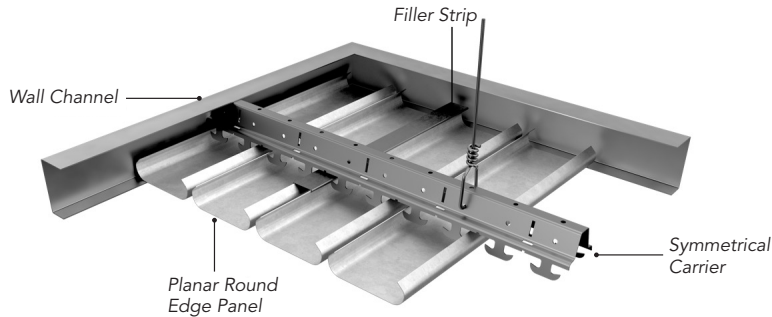
Air diffusers are compatible with Symmetrical Carrier only.

One pattern control is needed for each slot opening on air supply units.

Standard collars are top-mounted; oval, side inlet collars are special order.

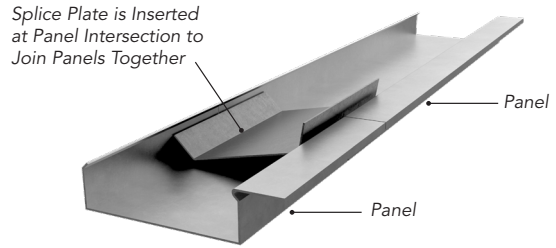
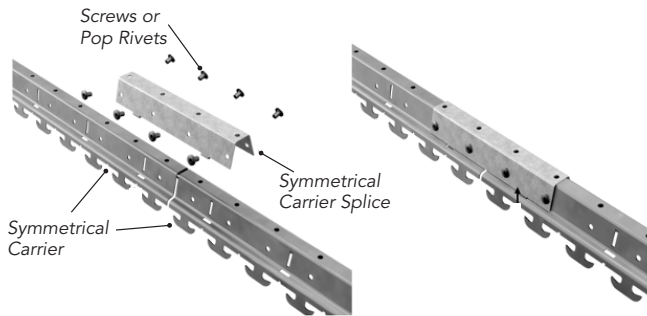
Rockfon® Planar® and Planar® Plus Linear Ceiling System

Planar Installation Details



Open Reveal Panels with Separate Filler Strip

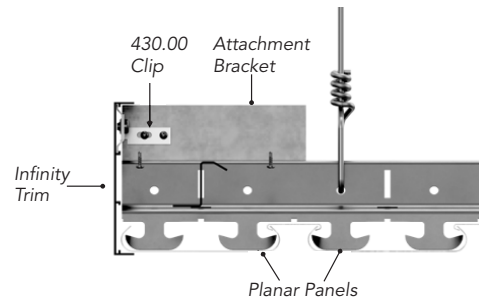
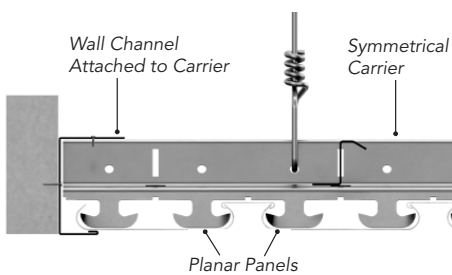
Planar Plus Panel Installation



Splicing Symmetrical Carriers

Finished Splice

Panel Splices Join Two Panels Together



Planar Installation Using Wall Channel

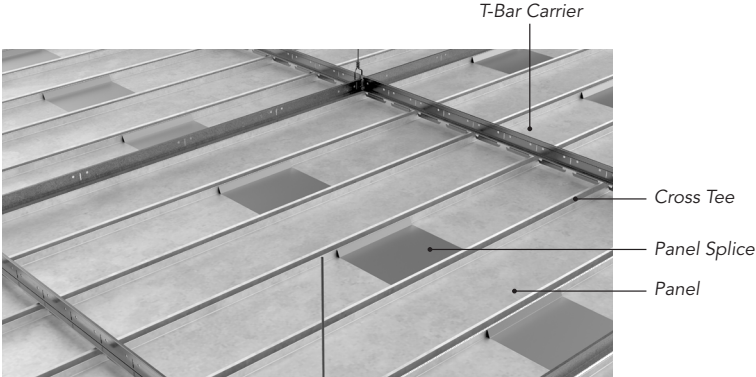
Planar Floating Ceiling with Infinity™ Perimeter Trim

Rockfon® Planar® and Planar® Plus Linear Ceiling System Installation Details

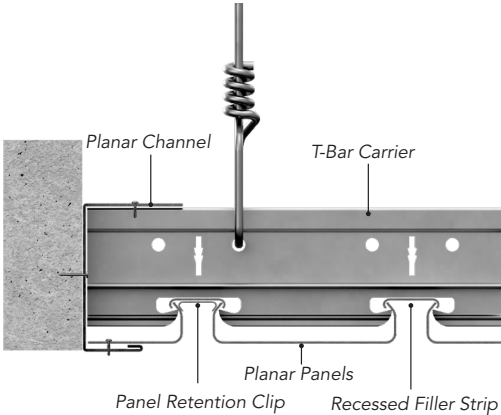
With Use of T-Bar Carriers



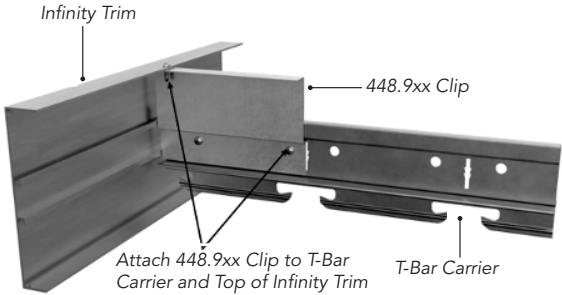
T-Bar Carrier
1500.08 (4" & 8" Panels)



T-Bar Carrier Installation with 4' x 4' Suspension System Module

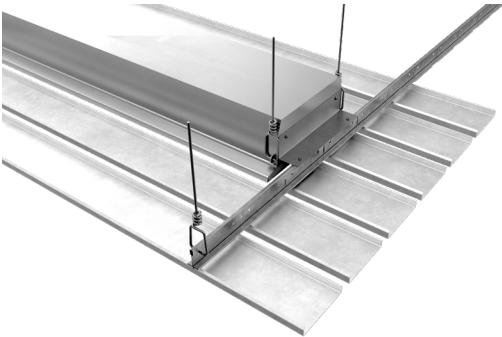


Perimeter Installation with T-Bar Carrier and Cut Panels

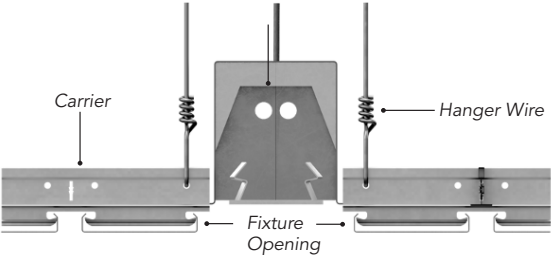


Attaching Infinity to T-Bar Carrier

Fixture Integration



Planar Diffuser Installation



Light Fixture Integration

Rockfon® Planar® and Planar® Plus Linear Ceiling System

Properties

Material

0.024" Aluminum



Fire Performance

Surface burning characteristics:
UL723 (ASTM E84) Flame Spread Index: 0
Smoke Developed Index: 0



Environment

Aluminum: 78% recycled content
Steel: 30% recycled content
100% locally recyclable



Sustainability

Woodlands™ woodgrain finishes are UL GREENGUARD Gold certified for low VOC (chemical) emissions and meet the California Department of Public Health (CDPH) Standard Method v1.2-2017 for offices and classroom environments



Warranty

1-Year Limited Product Warranty
See rockfon.com



Hygiene

Metal provides no sustenance to microorganisms



Cleaning

✓ Damp cloth

070824

Rockfon

4849 S. Austin Ave.
Chicago, IL 60638 USA