

Rockfon[®] Planar[®] Macro and Planar[®] Macroplus[®] Linear Ceiling System

Features & Benefits

- Square edge linear panel system, open reveal with optional filler strip (Planar Macro) or integral filler strip (Planar Macroplus).
- Create linear designs for interior or exterior spaces.
- Curvilinear designs for interior spaces possible with carrier option.
- Visual design continuity from exterior to interior.
- Easily incorporates lighting, air, audio and other services.
- GREENGUARD Gold certification available with Woodlands[™] woodgrain finishes.

Applications

- Airports
- Entrances
- Transit Facilities
- Retail
- Conference Centers
- Lobbies



Project – National Cowboy and Western Museum
Product – 6" Planar[®] Macro[®]

Rockfon® Planar® Macro and Planar® Macroplus® Linear Ceiling System

LEED® v4.1 Highlights

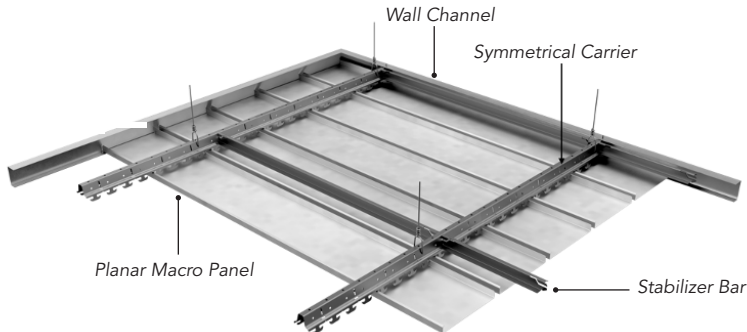
Materials and Resources (MR)

- Waste Management Planning ✓
- Interiors Life Cycle Impact Reduction ✓
- Environmental Product Declarations ✓
- Sourcing of Raw Materials ✓
- Material Ingredients -
- Waste Management ✓

Indoor Environmental Quality (EQ)

- Low-Emitting Materials ✓
- Interior Lighting -
- Acoustic Performance ✓

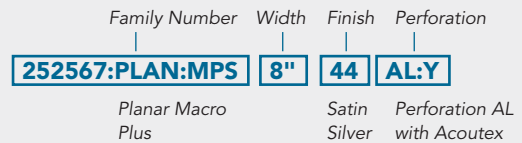
Recycled Content: 78% Aluminum



Family Number & Name	Panel Profile	Dimensions	Perforations (% Open Area)	Material	NRC	Fire Class	Low VOC	Recycled Content
Planar Macro Panels 252567:PLAN		Height 7/8"	Solid: 0% T: 7.6% Open AL: 15% Open	0.032 Aluminum	Up to .95	A	✓	78%
		2"						
		4"						
		6"						
Planar Macroplus Panels (MPS) 252567:PLAN		4"						
		6"						
		8"						

Product Code Example:

252567:PLAN:MPS:8":44:AL:Y



Standard panel length on 2" panels is 10 ft. Standard panel length on 4", 6", and 8" panels is 12'.

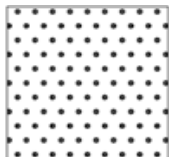
Special panels lengths available from 2' to 16' on 4", 6", and 8" panels.

* Integral filler will match the finish of the panel face. Can be ordered with a contrasting black filler (interior use only).

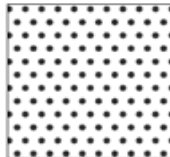
Acoutex™ backer is standard on perforated panels. Perforated panels can be ordered without Acoutex backer.

2" Macro panels must be installed on the Symmetrical Carrier.

Available Perforations



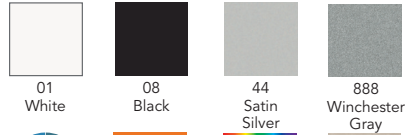
T
62R216S
0.0625" Diameter holes
0.216" Staggered centers
7.6% Open area



AL
78R196S
0.078" Diameter holes
0.196" Staggered centers
15% Open area

Rockfon® Planar® Macro and Planar® Macroplus® Linear Ceiling System Color Chart

Standard Colors



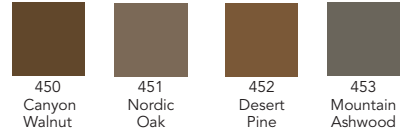
Other Painted Colors



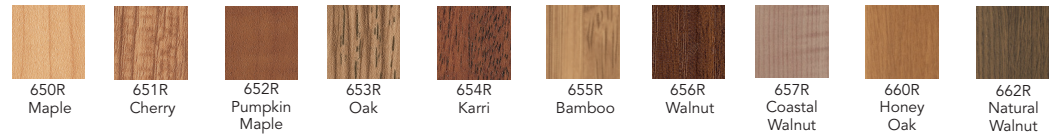
Woodlands™ Wood-Look



Woodlands™ Solid Coordinating Colors



Metalwood® Wood-Look Finishes (Interior Use Only)



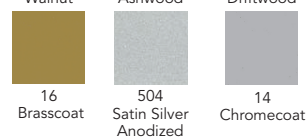
Metalwood® Solid Coordinating Colors



Woodscenes® Wood Look Powdercoat Finishes



Anodized Finishes



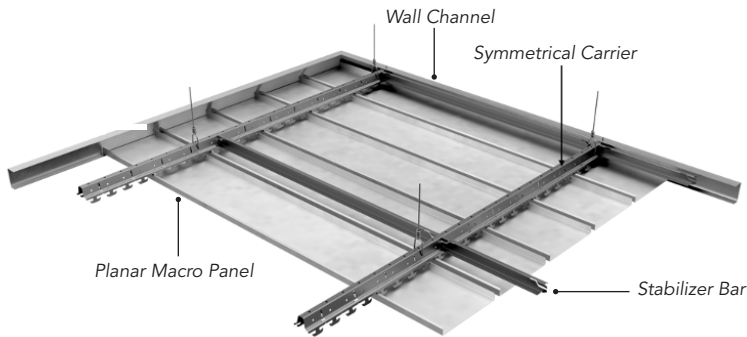
Colors shown are reproduced as close as possible to actual product color within the limitations of printing technology. Color chips are available upon request and should be reviewed before making a final selection. Variations in color matches of system components to ceiling panels can result from slight differences in texture, room lighting, painting process and subjectivity of observers.

As stated in CISCA's "Metal Ceilings Technical Guidelines," site conditions can impact installed visual appearance of metal ceilings. Usage of high gloss and metallic finishes in areas of critical lighting may alter final appearance and should be considered for finish selection.


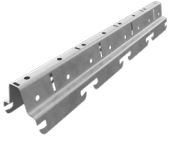


- GREENGUARD Gold certification available with Woodlands™ woodgrain finishes.
- All Wood Look finishes will have the grain pattern applied parallel to the length of the panel.
- Metalwood Woodgrain finishes are a 0.008" vinyl laminate which replicates the look of real wood.
- Woodscenes finishes are a decorative powdercoat finish replicating real wood.
- Woodlands and Woodscenes finishes are suitable for interior and exterior use.
- Metalwood finishes are for interior use only.

Rockfon® Planar® Macro and Planar® Macroplus® Linear Ceiling System

Suspension Components



Suspension Components

	Description	Catalog Number	Rockfon Material Number	Material	Packaging			
					Length	LFT	Pieces per Carton	Weight
	Symmetrical Carrier	58.01.007.008	249657	.040 Aluminum	12'	240	20	47
	Factory Curved Symmetrical Carrier	per order	252585	.040 Aluminum	12'	240	20	47
	Expansion Carrier	58.01.022.008	249659	.040 Aluminum	12'	240	20	47
	T-Bar Carrier for 4" & 8" Panels	1500.08C	249892	Steel	12'	144	12	23
	T-Bar Carrier for 6" Panels	1501.08C	250268	Steel	12'	144	12	23
	Flat Carrier for 6" Panels	58.01.005.008	249656	.040 Aluminum	10'	200	20	40
	Flat Carrier for 4" and 8" Panels	58.01.008.008	259049	.040 Aluminum	10'	200	20	40

Sold in full carton quantities.

Symmetrical Carrier is required for all exterior applications.

For Factory Curved Radius Symmetrical Carrier, specify radius at time of order. Concave curving only.



T-Bar carrier should not be used for exterior areas, or in Seismic Design Categories D,E,F.

Flat Radius Carrier is for interior use only.

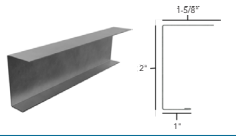
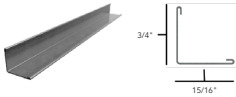
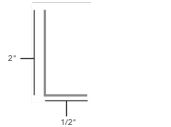
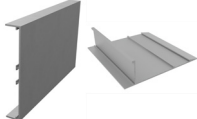
Rockfon® Planar® Macro and Planar® Macroplus® Linear Ceiling System

Accessories

Suspension Accessories

	Description	Catalog Number	Rockfon Material Number	Material	Packaging		
					Length	Pieces per Carton	Weight
	Symmetrical Carrier Splice	58.01.403.008	249665	Aluminum	N/A	50	4
	4' Cross Tee	1503.08C	249893	Steel	4'	50	38
	Stabilizer Bars						
	Interior 50"	58.01.028.008	249660	Aluminum	49-13/16"	50	33
	Exterior 36"	58.01.029.008	249662		35-13/16"	50	26
	Exterior 24"	58.01.027.008	249661		23-13/16"	50	21

Perimeter Components

	Description	Catalog Number	Rockfon Material Number	Material	Packaging		
					Length	Pieces per Carton	Weight
	Planar Macro Wall Channel	58.03.717.xxx	Varies	Aluminum	10'	Per Order	1.2
	Aluminum Wall Angle	38.90.124.xxx	Varies	Aluminum	12'	25	25
	Flex Angle Bare	38.35.995.000	250477	Aluminum	10'	Per Order	1.25
	Infinity	Varies	252565	Aluminum	Per Order	Per Order	Per Order

For exterior areas, Wall Channel should be used for the perimeter and to frame fixture areas.




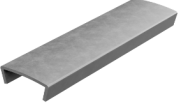
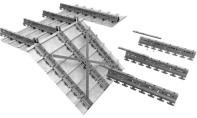


Infinity should be used for interior spaces only.

T-Bar Carrier cannot be used with 2" Planar Macro.

Rockfon® Planar® Macro and Planar® Macroplus® Linear Ceiling System

Accessories

Planar Macro and Macroplus Accessory Items


	Description	Catalog Number	Rockfon Material Number	Material	Packaging	
					Pieces per Carton	Weight
	Filler Strips					
	Recessed Filler 12'	58.01.009.xxx	252570	Aluminum	20	15
	Expansion Filler 12'	58.01.011.xxx	252570	Aluminum	20	15
	Panel Splices					
	2" Panels	58.03.520.xxx	252600	Aluminum	100	10
	4" Panels	58.03.525.xxx	252600	Aluminum	100	14
	6" Panels	58.03.530.xxx	252600	Aluminum	100	15
	8" Panels	58.03.535.xxx	252600	Aluminum	100	19
	End Caps					
	2" Panels	58.03.620.xxx	252598	Aluminum	100	2
	4" Panels	58.03.625.xxx	252598	Aluminum	100	3
	6" Panels	58.03.630.xxx	252598	Aluminum	100	5
	8" Panels	58.03.635.xxx	252598	Aluminum	100	8
	Retention Clips					
	For panels with open reveal	58.01.318.000	250523	Clear Plastic	500	4
	For panels with integral filler	58.01.317.000	250522	Clear Plastic	500	4
	Access Door Kits*					
	Interior	58.01.058	249663	Varies	1	1
Exterior	58.01.059	249664	1		1	
	Infinity Attachment Clip	448.9xxx	252596	Steel	1	1
	Planar to Infinity Clip	448.940	252596	Steel	1	1

*Includes hardware for field construction of access doors.

Rockfon® Planar® Macro and Planar® Macroplus® Linear Ceiling System

Accessories

Acoustical Insulation Blankets

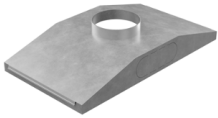
	Description	Catalog Number	Rockfon Material Number	Dimensions		
				Length	Width	Sq. Ft.
	48" Acoustical Blanket 1" x 1# Black	58.01.103.008	250515	100'	4'	400
	48" Acoustical Blanket 1" x 1-1/2# Black	58.01.060.008	250506	100'	4'	400
	48" Acoustical Blanket 1-1/2" x 1# Black	58.01.104.008	250516	100'	4'	400
	48" Acoustical Blanket 1-1/2" x 1-1/2# Black	58.01.102.008	250514	100'	4'	400

Acoustical Performance

Panel Type	Reveal	Acoustical Insulation	NRC
Perforated Panel	Closed	Acoutex	0.70
Perforated Panel	Closed	1" x 1# Insulation	0.75
Perforated Panel	Closed	1" x 1.5# Insulation	0.80
Perforated Panel	Closed	1.5" x 1.5# Insulation	0.95

For a closed reveal, panels with an integral filler or open reveal panels with a separate filler strip are used.

Air Diffusers

	Description	Catalog Number	Rockfon Material Number	Packaging	
				Pieces per Carton	Weight
	Air Diffuser - 2 Slot Unit, 8" Collar, 9" Width	58.01.072	250510	1	10
	Air Diffuser - 4 Slot Unit, 10" Collar, 17" Width	58.01.074	250511	1	13
	Air Diffuser - 6 Slot Unit, 12" Collar, 25" Width	58.01.076	250512	1	16
	Air Diffuser - 8 Slot Unit, 14" Collar, 33" Width	58.01.078	250513	1	20
	Round Edge Planar Pattern Control	58.01.108	250519	1	1
	Square Edge Planar Pattern Control	58.01.107	250518	1	1

Extended lead times apply - Order diffusers prior to panel order.

Air diffusers are designed to install as tailored components of the Planar and Planar Macro Linear Metal Systems.

Number of slots based on 4" panel.

Air diffusers are compatible with Symmetrical Carrier only.

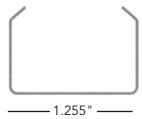
One pattern control is needed for each slot opening on air supply units.

Standard collars are top-mounted; oval, side inlet collars are special order.

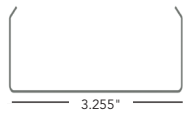
Rockfon® Planar® Macro and Planar® Macroplus® Linear Ceiling System

Installation Details

Open Reveal Panels



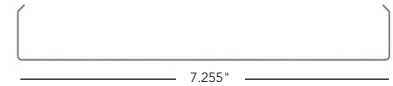
2" Planar Macro



4" Planar Macro

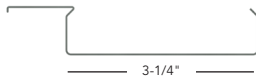


6" Planar Macro

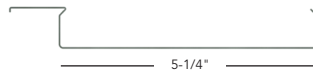


8" Planar Macro

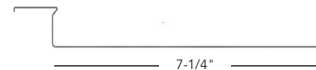
Planar Macro Plus - Closed Reveal Panels



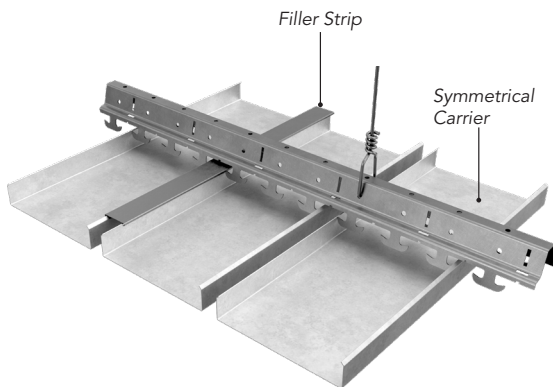
4" Macroplus



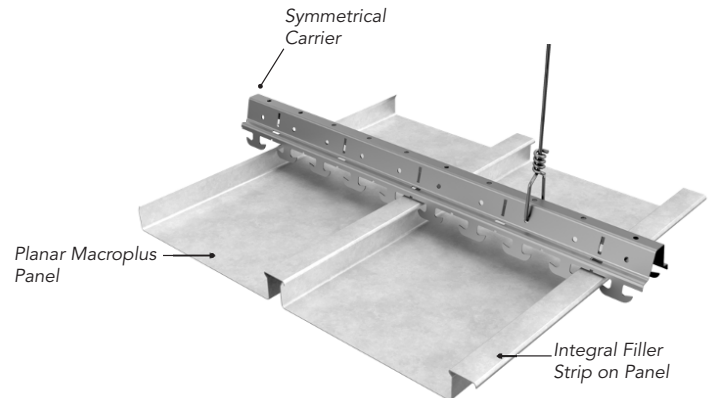
6" Macroplus



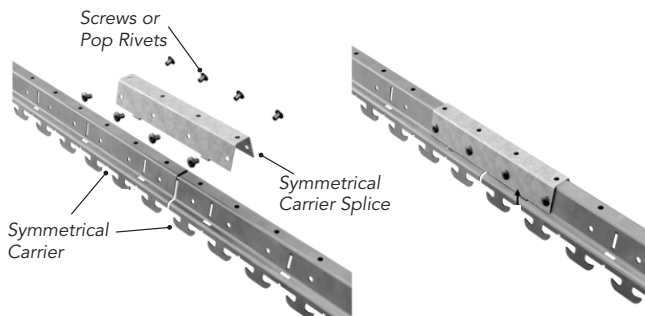
8" Macroplus



Planar Macro Open Reveal Installation

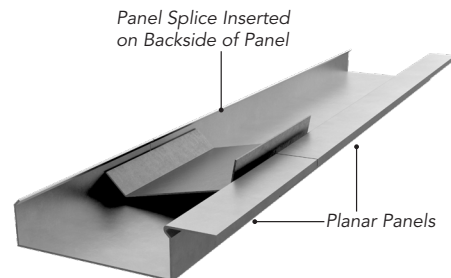


Planar Macroplus Installation



Finished Splice

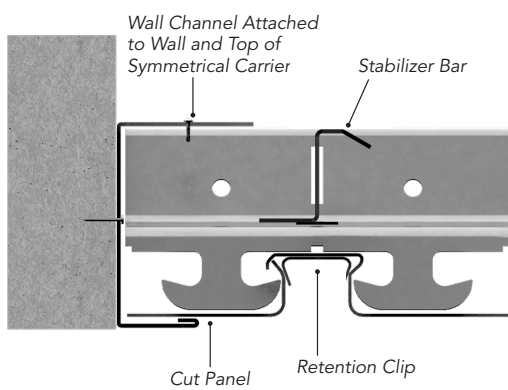
Splicing Symmetrical Carriers



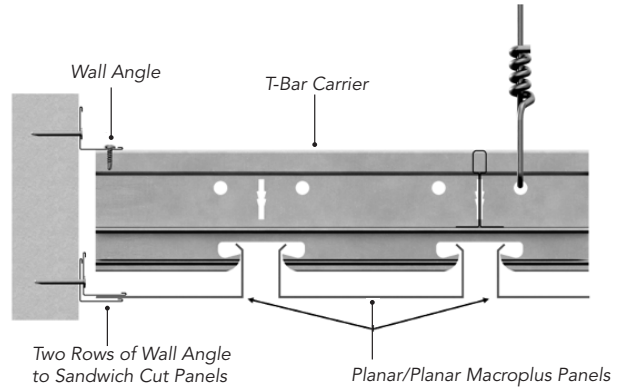
Installation of Panel Splices

Rockfon® Planar® Macro and Planar® Macroplus® Linear Ceiling System

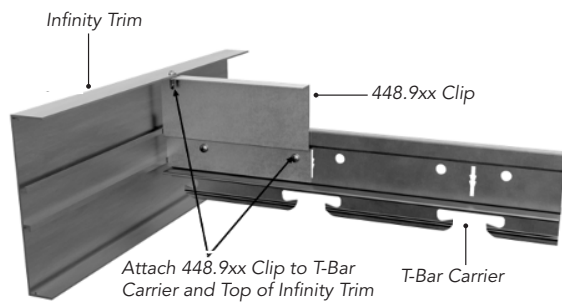
Installation Details



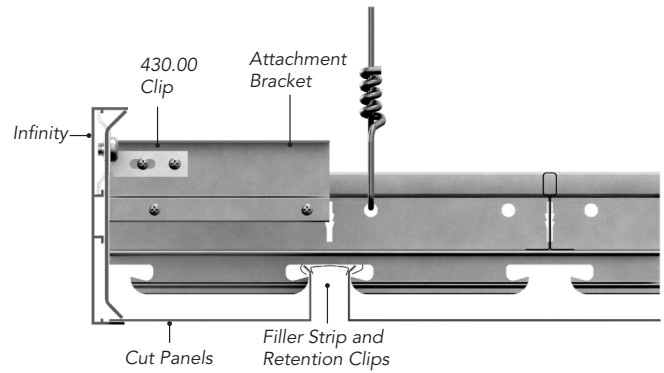
Perimeter Detail Using Channel



Securing Panels at Perimeter with Wall Angle

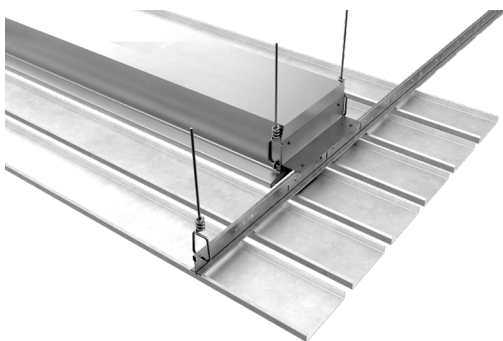


Attaching Infinity to T-Bar Carrier

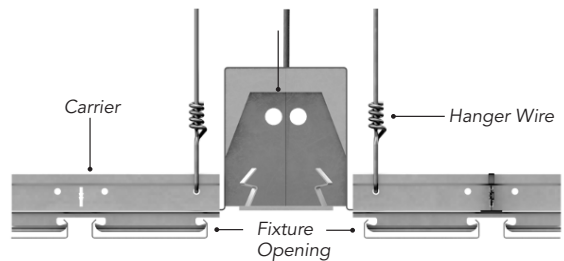


Floating Perimeter with Infinity

Fixture Integration



Planar Diffuser Installation



Light Fixture Integration

Rockfon® Planar® Macro and Planar® Macroplus® Linear Ceiling System

Properties

Material

0.032" Aluminum



Fire Performance

Surface burning characteristics:
UL723 (ASTM E84) Flame Spread Index: 0
Smoke Developed Index: 0



Environment

Aluminum: 78% recycled content
100% locally recyclable



Sustainability

Woodlands™ woodgrain finishes are UL GREENGUARD Gold certified for low VOC (chemical) emissions and meet the California Department of Public Health (CDPH) Standard Method v1.2-2017 for offices and classroom environments



Warranty

1-Year Limited Product Warranty
See rockfon.com



Hygiene

Metal provides no sustenance to microorganisms



Cleaning

✓ Damp cloth

070824

Rockfon

4849 S. Austin Ave.
Chicago, IL 60638 USA